

Congratulations on the purchase of your Promoter24™ Display.

Parts List:

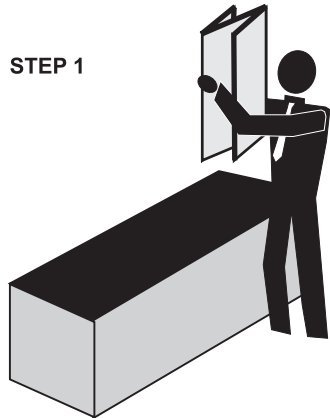
- 1 - Promoter24 Display
- 1 - Canvas Carry Bag

Instructions for Items:

- #TT3-24 - all kits
- #TT4-24 - all kits

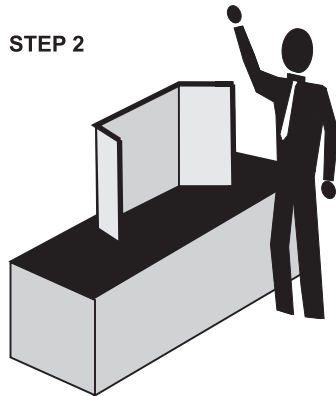


Basic Assembly Instructions



STEP 1

Remove table top display from carry bag and begin to unfold the panels of the display (with the feet down).



STEP 2

While holding the table top display, position the unit where desired on the table.

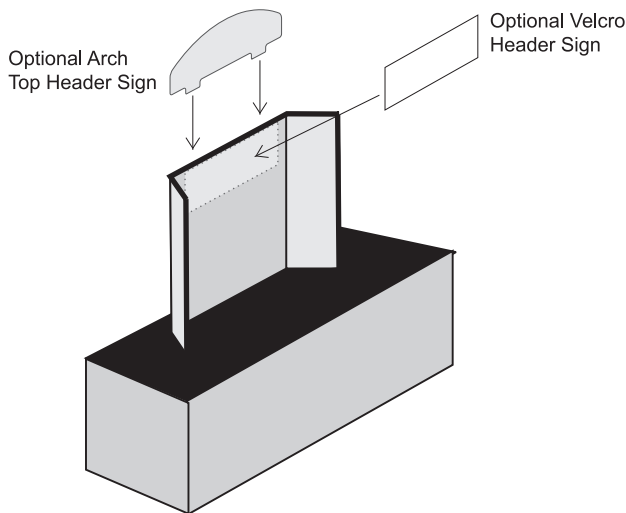
Disassembly Instructions:
Fold panels back together in a Z-shaped pattern, and lay flat.

Storage:
Store in canvas carry bag.



Care Instructions:
Spot clean with a damp cloth.

Optional Items Instructions



OPTIONAL GRAPHIC PANELS

Lay display flat on table. Place graphic panels Velcro side down on the display's fabric panels. Press lightly on graphics for velcro to adhere to the fabric on the display.

OPTIONAL ARCH TOP HEADER SIGN

Install Arched Top Header by lining up the feet on the bottom of the sign, then by pushing the sign into the slots in the top of the display frame.

OPTIONAL VELCRO HEADER SIGN

Unroll velcro header and place on center panel and press lightly. Velcro on the sign will adhere to the fabric on the display.

Warranty Information

All Promoter24 displays are covered by our Lifetime Guarantee to be free of defects in material and workmanship. It does not cover damage due to abuse, accidents or normal wear and tear. Products found to be defective will be replaced or repaired at the factory's discretion.

