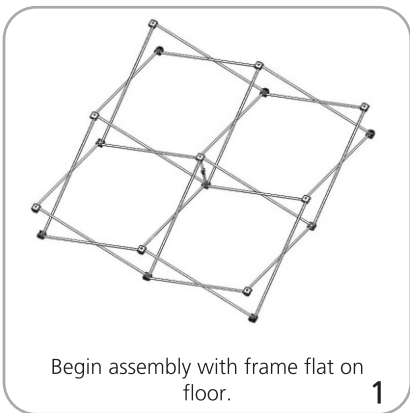
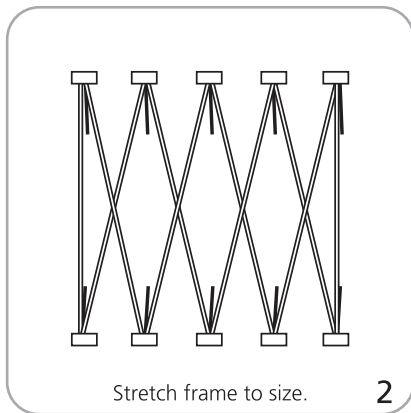


# EMBRACE SET-UP



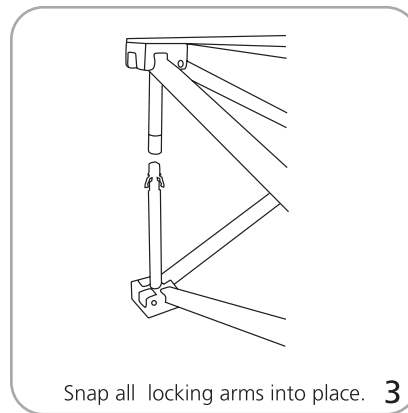
Begin assembly with frame flat on floor.

1



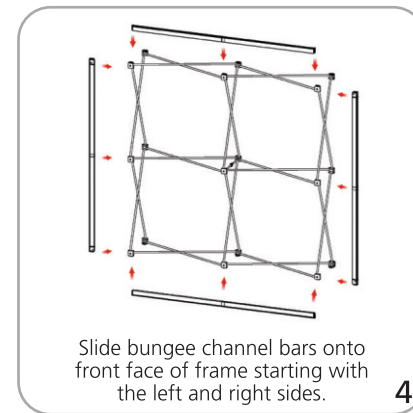
Stretch frame to size.

2



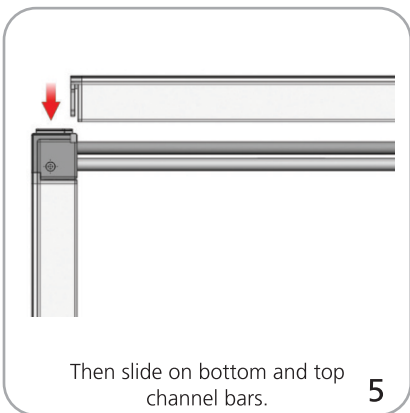
Snap all locking arms into place.

3



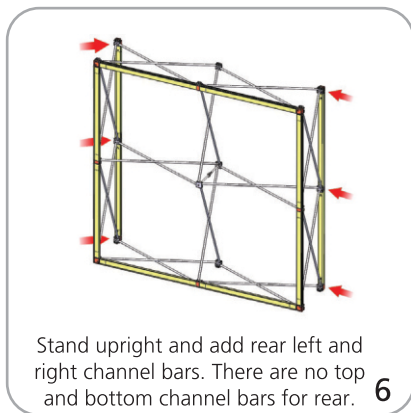
Slide bungee channel bars onto front face of frame starting with the left and right sides.

4



Then slide on bottom and top channel bars.

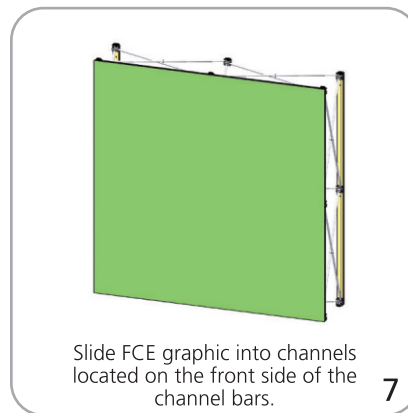
5



Stand upright and add rear left and right channel bars. There are no top and bottom channel bars for rear.

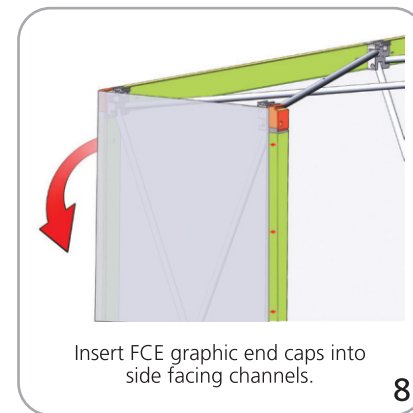
6

## APPLY GRAPHIC:



Slide FCE graphic into channels located on the front side of the channel bars.

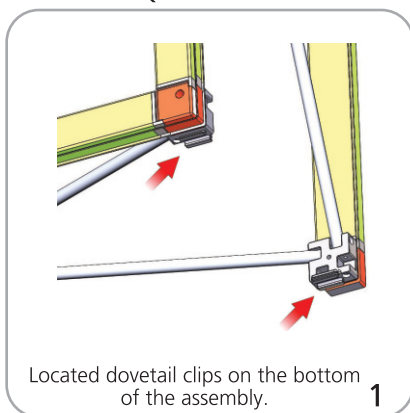
7



Insert FCE graphic end caps into side facing channels.

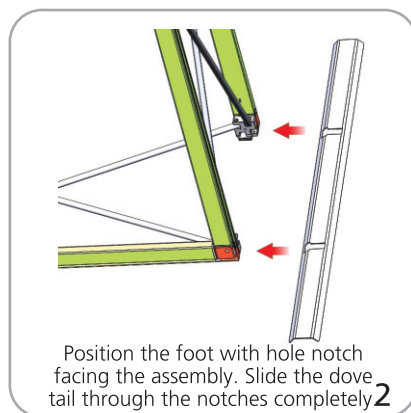
8

## ATTACH STABILIZER FEET TO FRAMES 3 QUADS HIGH



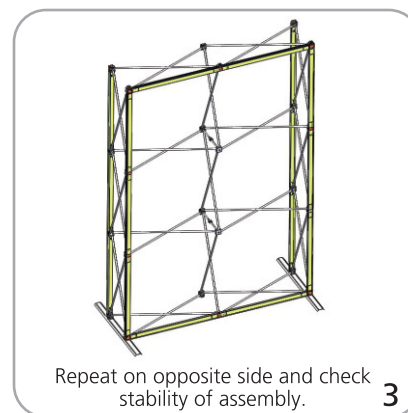
Located dovetail clips on the bottom of the assembly.

1



Position the foot with hole notch facing the assembly. Slide the dovetail through the notches completely.

2



Repeat on opposite side and check stability of assembly.

3



Unit is complete