

Formulate Designer Series 20' Backwall - Kit 05

FMLT-DS-20-05

Formulate® Designer Series 20ft displays have unique stylistic features and shapes, are portable and easy to assemble. The aluminum tube frame features snap-buttons and zipper pillowcase fabric graphics. All displays come in portable, wheeled transit cases. Simply pull the pillowcase fabric graphic over the frame and zip.



features and benefits:

- Premium aluminum tube frames with snap button assembly
- Easy to store and ship
- Quick to set up
- Weighted feet for added stability
- Zipper pillowcase fabric graphic
- Kit includes: medium monitor mount, can hold 32-55" monitor/ max weight 40lbs
- Lifetime limited hardware warranty against manufacturer defects

dimensions:

Hardware

Graphic

Assembled unit:
234.75" w x 96" h x 39.2" d
5844mm(w) x 2438mm(h) x 996mm(d)

Refer to related graphic template for more information.

Approximate weight with cases:
225 lbs / 102.1 kgs

Visit:
www.exhibitors-handbook.com/graphic-templates

Shipping

Packing case(s):
3 OCE Cases

Shipping dimensions:
OCE: Expandable case length (l) may vary
40" - 66" l x 18" h x 18" d
1016mm-1677mm(l) x 458mm(h) x 458mm(d)

Approximate total shipping weight
(includes cases & graphics):
250 lbs / 113.4 kgs

additional information:

Graphic material:
dye-sublimation zipper pillowcase fabric

Frame A and B stand independently of one another, no connection hardware required.

We are continually improving and modifying our product range and reserve the right to vary the specifications without prior notice. All dimensions and weights quoted are approximate and we accept no responsibility for variance. E&OE. See Graphic Templates for graphic bleed specifications.

affordable
exhibit
displays inc

Included In Your Kit

Tools, Components, & Connectors



HEX KEY SET x1



TC-30-90T x4



TC-30-T x2



PLT-BP-WVC-PLATE-STD x2



PLT-BP-LN114-S2-650 x3



LN114-SCRW x5

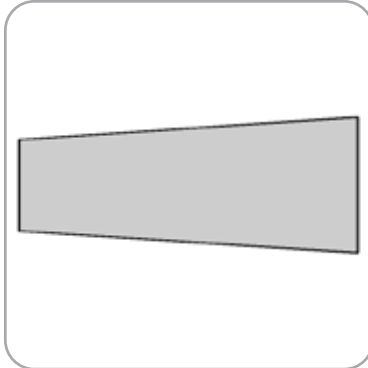


TC-30-90B x2

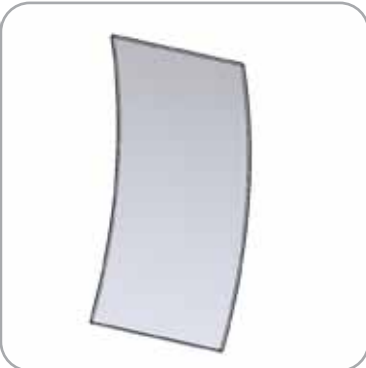


PM453-MK-M x1

Graphics



FMLT-DS-20-05-A-G x1



FMLT-DS-20-05-B-G x1

Included In Your Kit



WS10-T1 x8



WS10-T2 x12



WS10-T4 x2



WS10-T5 x2



WS10-T6 x2

Tubes



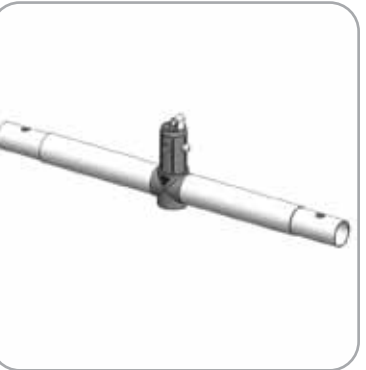
WS10-T7 x2



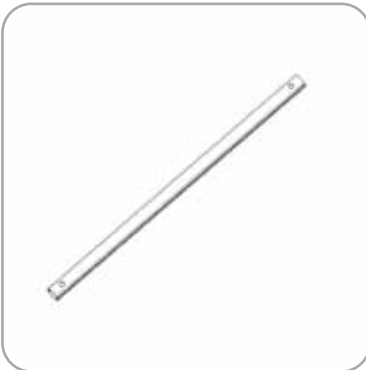
WV20-01-T1 x2



WV20-01-T2 x1



WS-01-T1 x1



DS-20-05-B-T1 x2



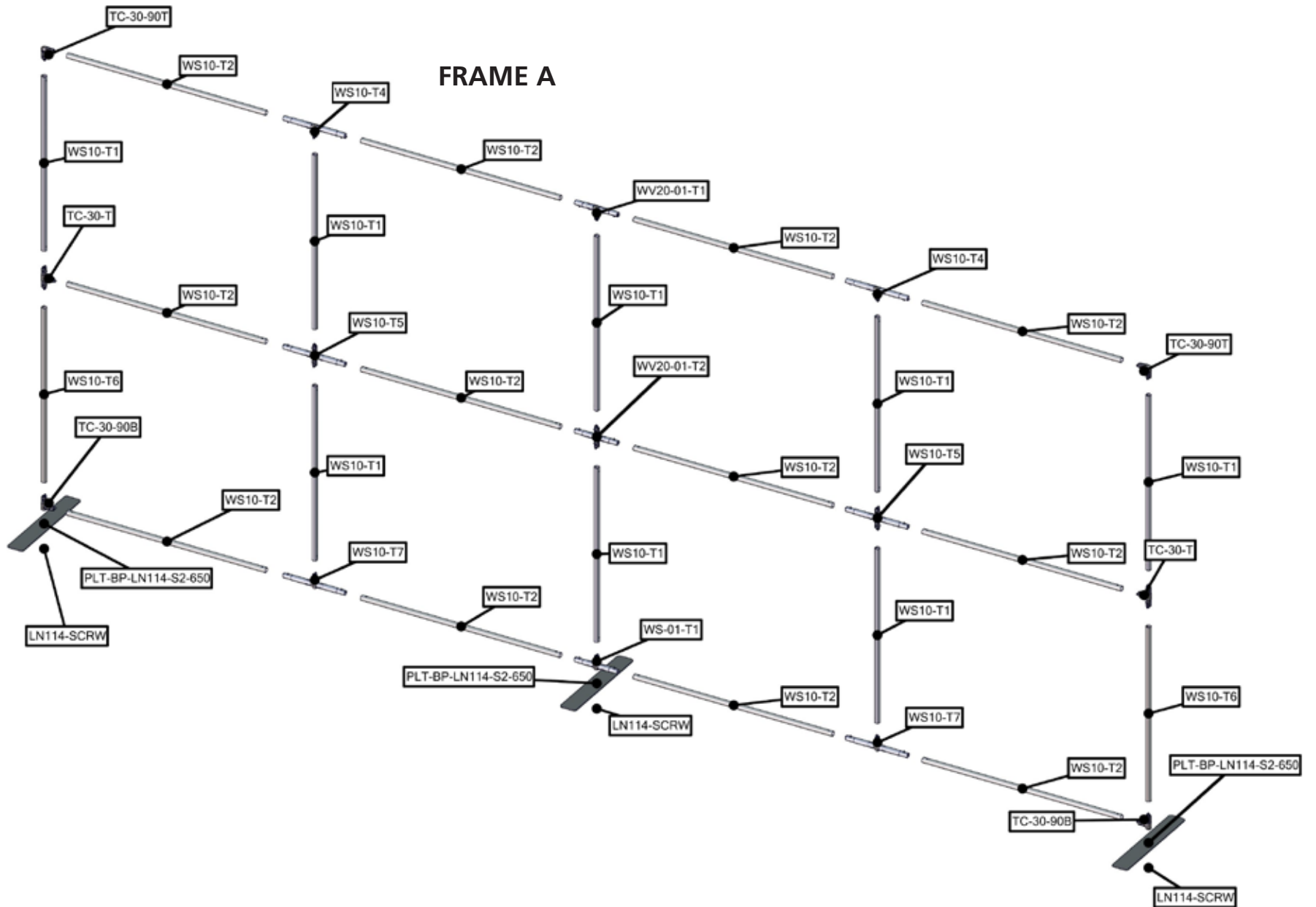
DS-20-05-B-T2 x1



DS-20-05-B-T3 x4

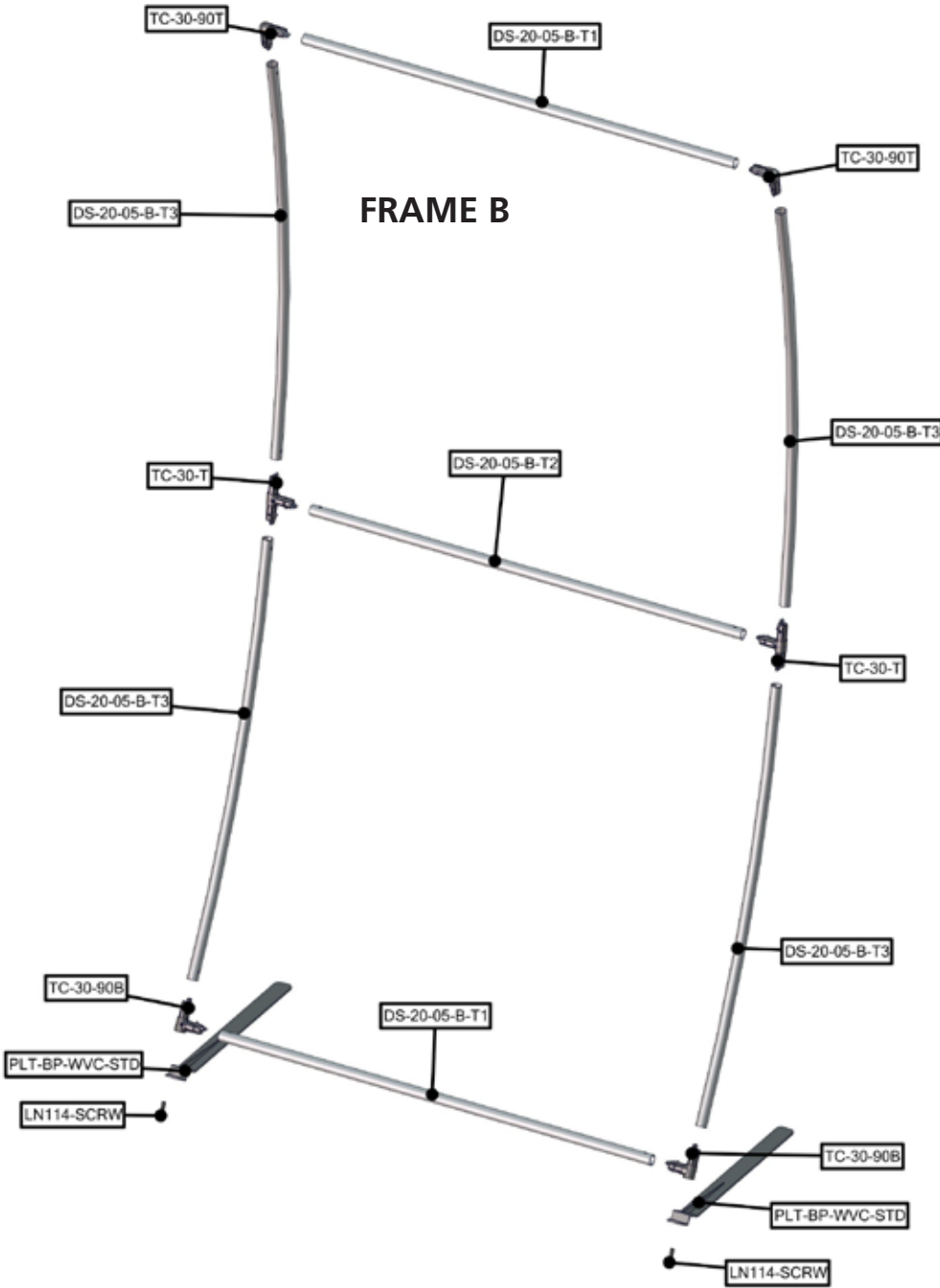
Exploded View

FMLT-DS-20-05



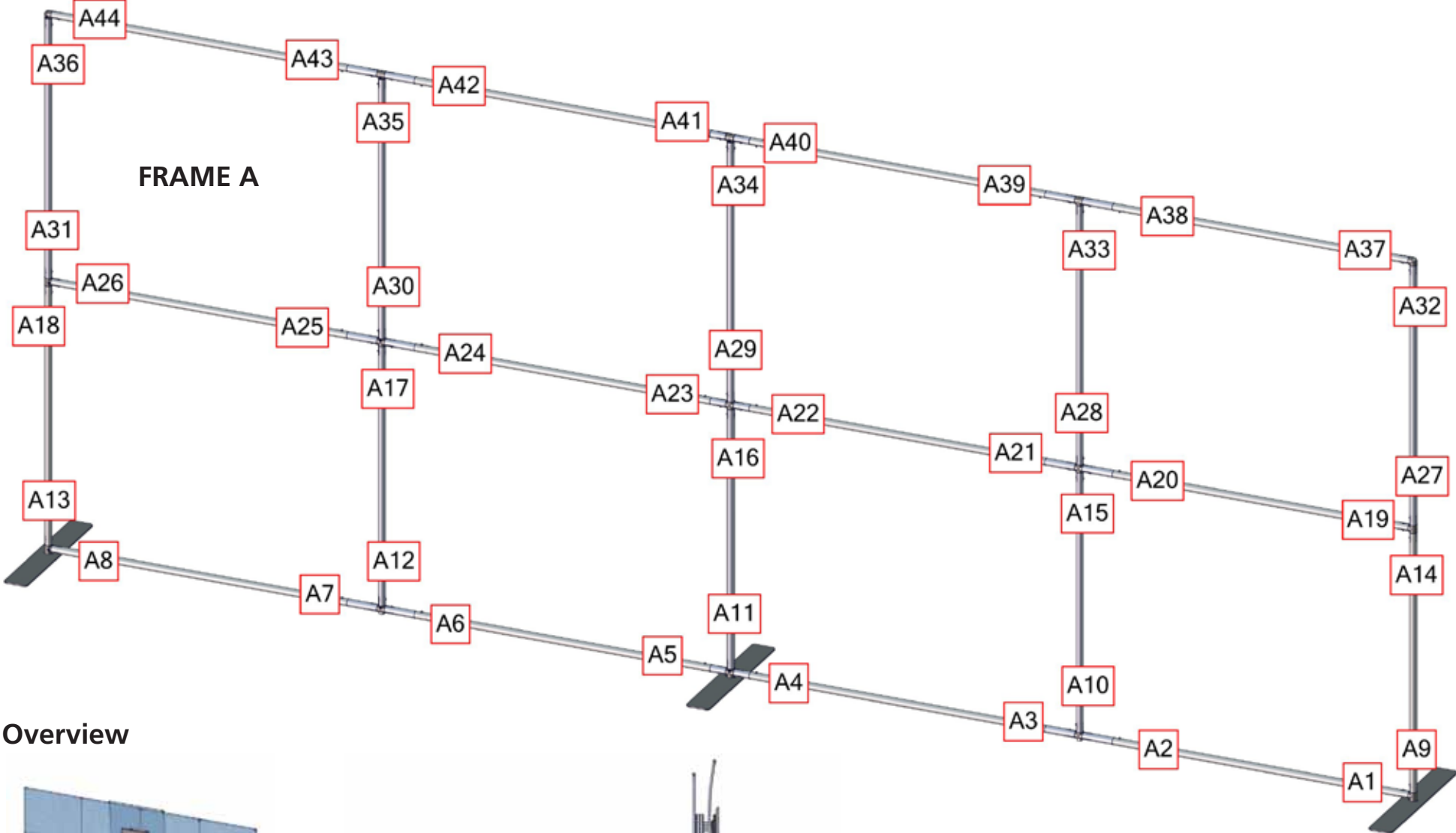
Exploded View

FMLT-DS-20-05

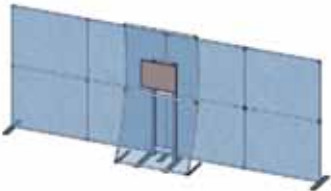


Labeling Diagram

FMLT-DS-20-05



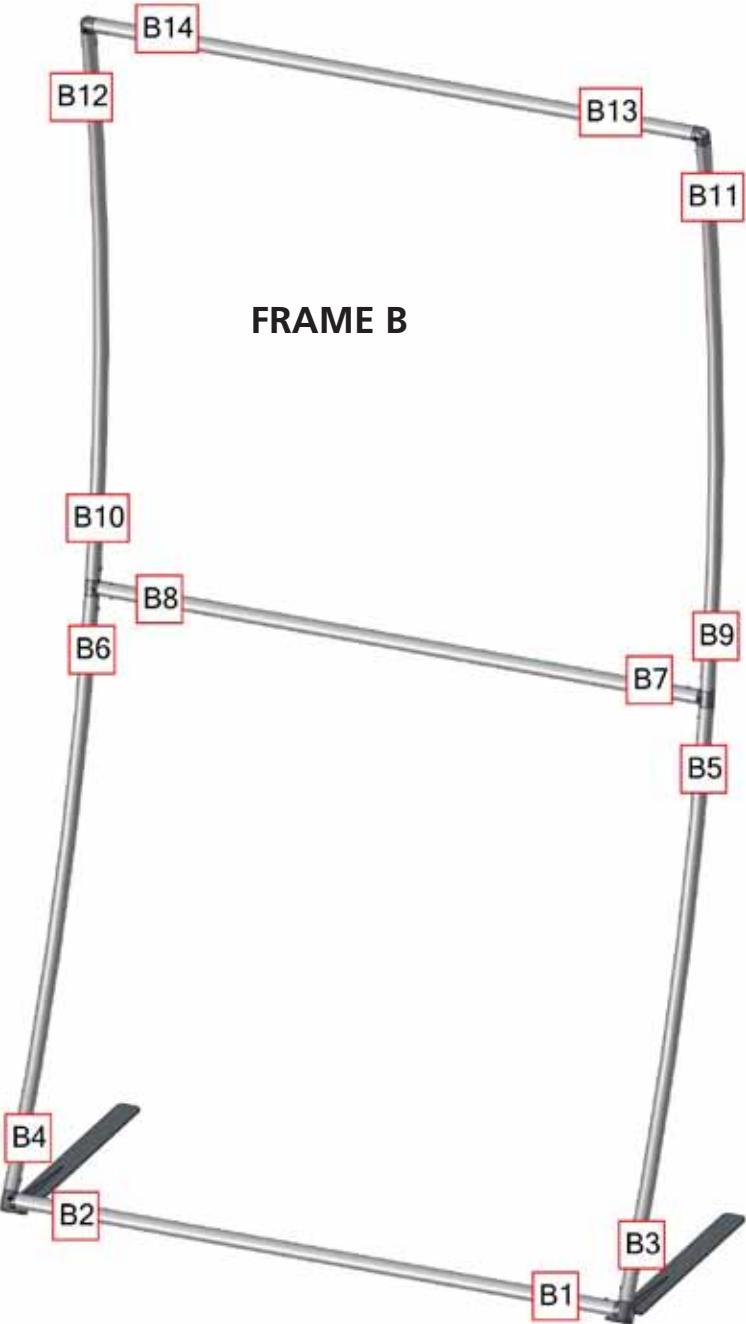
Overview



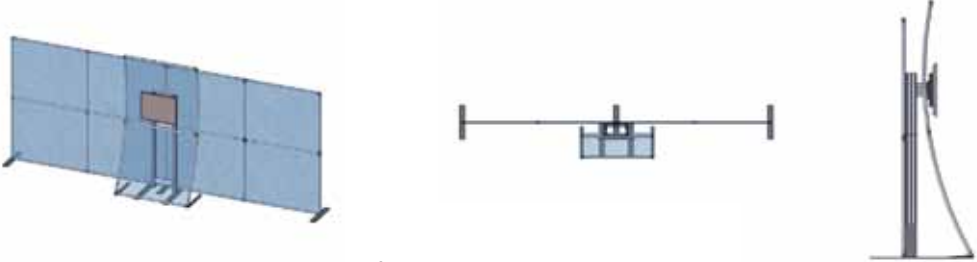
Frame A and B stand independently of one another, no connection hardware required.

Labeling Diagram

FMLT-DS-20-05



Overview

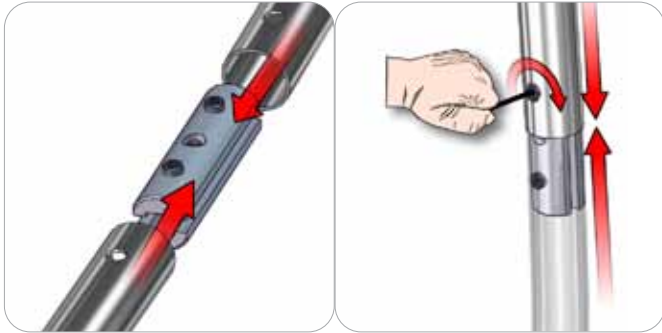


Frame A and B stand independently of one another, no connection hardware required.

Connection Methods

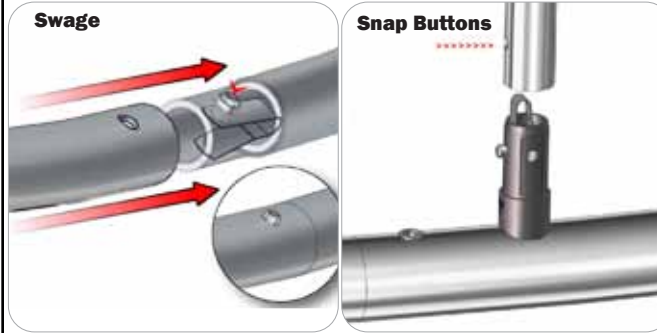
Formulate™ structures use a number of different yet simple connection methods. Your kit will include one or more of the connection methods shown below. Steps within the Kit Assembly will reference a specific method for each connection point.

Connection Method 1: ES30 / ES50 / ES75



Compress the unlocked connector and slide one tube onto each end. Lock both screws carefully using your hex key tool. Be sure to lock securely, but do not overtighten.

Connection Method 2: Snap Buttons & Swage



Locate the snap button on the connector or swage tube. Locate the hole on the corresponding tube. Press the snap button with your thumb and slide the tube and connector together so that the snap button snaps fully into the lock hole. To disassemble, press the snap button and pull apart.

Connection Method 3: ES30-90B / ES30-I / ES30-C



Compress one unlocked end of the connector and slide it through one tube end. Compress the other end of the connector and slide the second tube on. Lock both screws carefully using your hex key tool. Be sure to lock securely, but do not overtighten.

Connection Method 4: Tube Clamps



Be sure to fully assemble all frames before using clamps. With the clamp unlocked, place one tube of the first frame into the mouth of the clamp. Place the second tube (if applicable) into the second mouth of the clamp. With both frame's tubes in the clamp, be sure to lock securely, but do not overtighten.

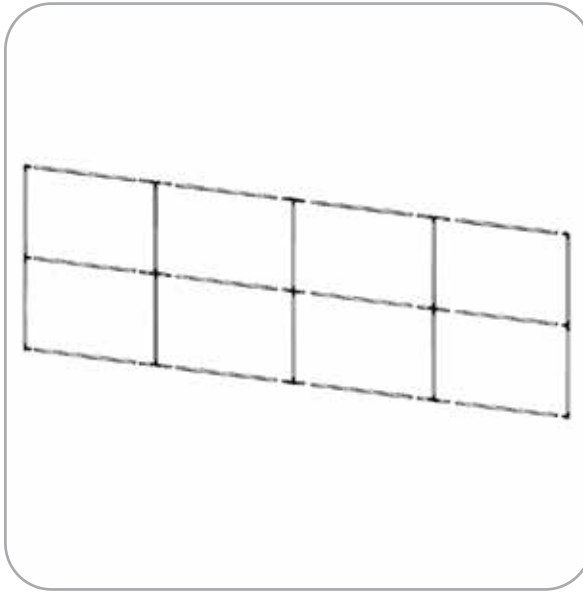
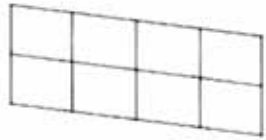
Kit Assembly

Step by Step:

Step 1.

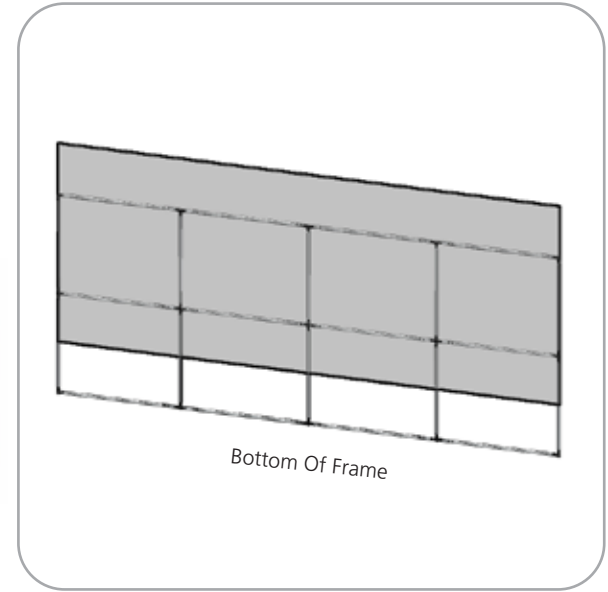
Assemble Frame A with the snap buttons according to the Labeling Diagram.

Please reference Connection Method 2 for more details.



Step 2.

Apply the FMLT-DS-20-05-A-G graphic onto Frame A. Zipper up at the bottom of the frame.



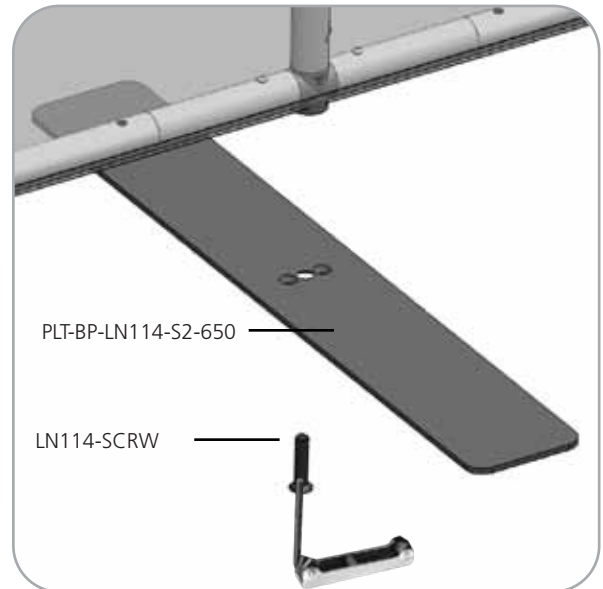
Step 3.

Using the provided hex key set, attach the base plate for the left and right ends of Frame A.



Step 4.

Using the provided hex key set, attach the base plate for the center of Frame A.



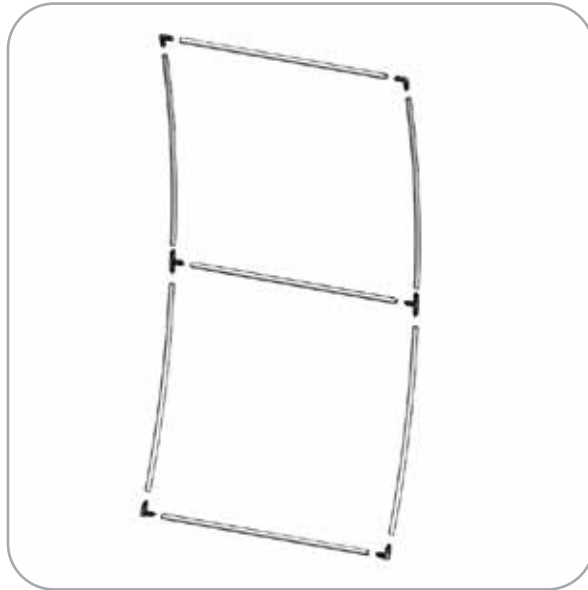
Kit Assembly

Step by Step:

Step 5.

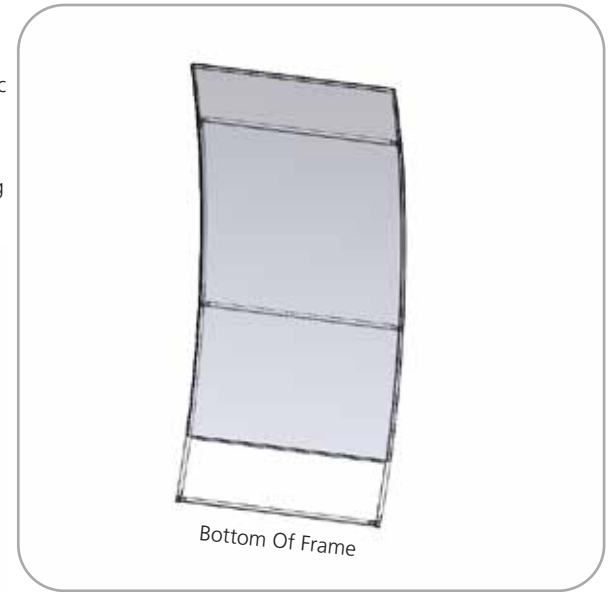
Assemble Frame B with the snap buttons according to the Labeling Diagram.

Please reference Connection Method 2 for more details.



Step 6.

Apply FMLT-DS-20-05-B-G graphic onto Frame B. Zipper at the bottom of the frame. There will be two slots in the graphic for the monitor mounting kit.



Step 7.

Attach the base plates onto Frame B as shown in the image to the right.



Your FIRST AND ONLY choice for trade show displays since 1994.

POP UP DISPLAYS



BANNER STANDS



TRADE SHOW DISPLAYS



AffordableDisplays.com

affordable
exhibit
displays inc

Partnering together to perfectly present your image.